

The unit is designed to accurately mark PCB's within a production line or can be used as a stand alone cell. A "flying laser" concept is used which means that the PCB is locked in the marking position while the CO₂ laser is moved using servo controlled X-Y axis. The number of markings and their positions are easily programmed in Windows™ based software. An optional integrated inverter is available for double-sided marking.



Standard features

- CCD camera for readability check.
- Three level camera lighting (brightness)
- Large marking area.
- Controlled by industrial PC.
- Capability to mark text, barcodes, 2D codes and graphics.
- Conveyor width adjustment using hand crank.
- Rigid machine structure with large access doors.
- PCB side clamping.
- Mechanical PCB lift for constant focal point.
- Quick product change-over.
- Selectable by-pass operation.
- Uninterruptible power supply (UPS).
- Towerlight display for machine status.
- CE certified.

Technical specifications

Laser type:	CO ₂ , 10 Watt, air cooled
Wave length:	10.63 μm
Laser class:	Class 4
Housing class:	Class 1
Marking area:	105 mm x 105 mm per position, 460 mm x 460 mm total coverage
Cell size:	≥ 0,127 mm (5 mil)
Conveyor type:	3 mm ESD edge belt
Conveyor speed:	24 m/min.
PCB transfer time:	≤ 5 sec.
System software:	Windows 7
Network interface:	Ethernet
Monitor:	17" high-density flat screen
PCB transfer height:	950 mm ± 25 mm*
Component clearance:	Top 30 mm, bottom 30 mm*
Conveyor flow direction:	Left to right*
Conveyor interface:	SMEMA*
Colour:	RAL 9002*
Power supply:	230 VAC/50 Hz/1 Ph
Power consumption:	1610 VA max. (fume extraction included)
Air supply:	5 bar
Air consumption:	20 ltr/min max.
Noise level:	max. 65 dB * or specify

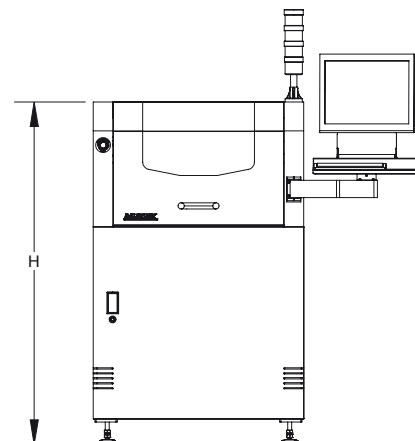
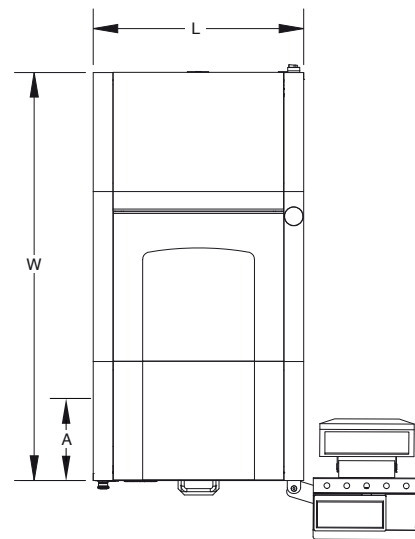


* with optional inverter

Options

- Program controlled conveyor width adjustment
- PCB orientation check
- Fiducial recognition and position alignment
- Double-sided marking using integrated inverter
- Barcode scanner (Microscan MS4)
- Bad marking recognition
- Database- and network connection
- Fiber laser
- Fume extraction unit (external, 1000 VA max.)

Other options available on request



	LMC-S3
Machine dimensions (l x w x h)	850 x 1645 x 1380 mm
Weight	700 kg
Applicable PCB length	80 mm - 508 mm
Applicable PCB width	65 mm - 460 mm
PCB thickness	0.6 mm - 4 mm
Fixed rail to front dimension (A)	330 mm