

LIGHT SIGNALS FOR RAILWAYS TYPE AŽD 70

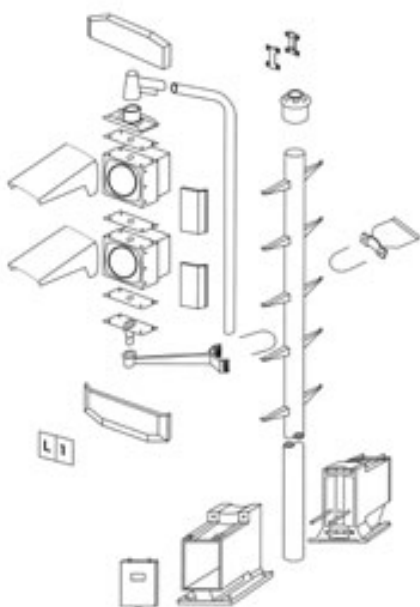
- Modular system allowing to assemble any signal configuration
- Universal use at railways, sidings, smelting plants
- Low cost
- Easy installation
- Minimum maintenance

General Description

AŽD light signals are produced as integrated modular system with minimum number of parts accommodating needs of railway traffic at stations, railway lines, sidings, as well as mine railways. From this AŽD modular system a signal for any purpose can be assembled.

Basic Technical Description

Main parts of the modular system are:



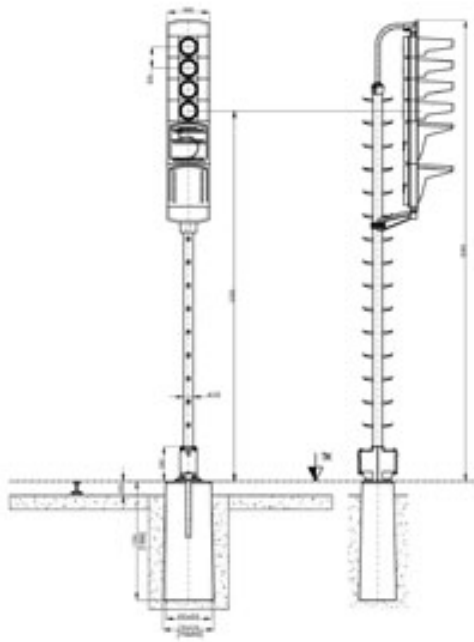
Signal configuration set

- Signal lamp and indicator configuration – make signal basic unit and it is completed by black contrast frame and lampshades. Assembling variability enables installation of all necessary configurations
- Signal lamp mounting set is used for mounting the signal lamp configuration to the mast. Construction allows swivelling in the 90° horizontal level
- Mast – made of hot-dip galvanized steel. It is the main bearing part for lamp configuration. It is fitted by antiskid steps. It can be supplemented by folding installation platform and a holder making the signal maintenance easier
- Signal transformer box – is used to mount a signal to the concrete foundation. Up to eight signal transformers can be stored inside. With dwarf and cantilever signals the signal transformers can be accommodated directly inside signal lamps
- Basis – mast signals are installed on prefabricated concrete foundation.

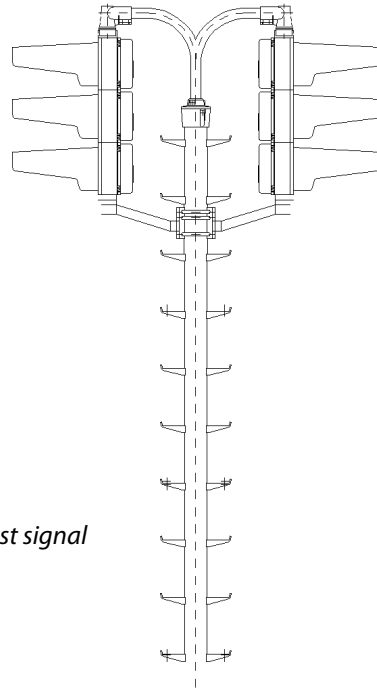


Dwarf signals are installed on plastic or concrete foundation.

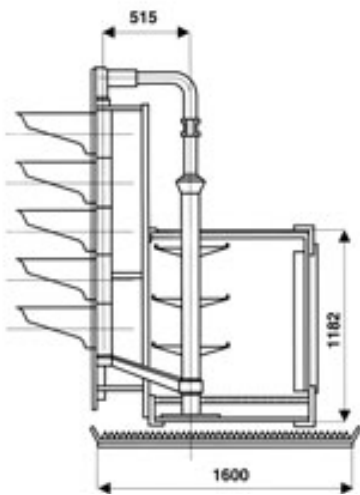
- From the modular system the following signal types can be assembled:
 - Mast
 - single sided
 - double sided
 - Cantilever
 - Dwarf



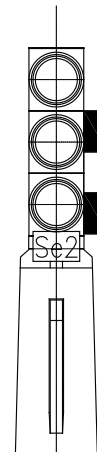
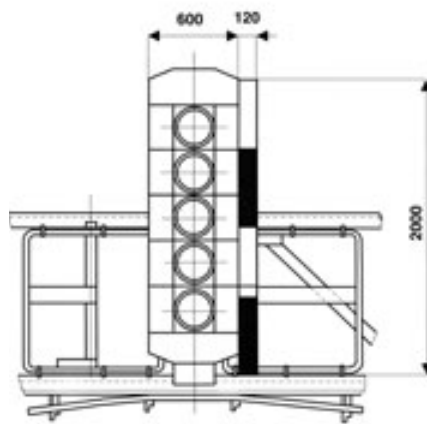
Single sided mast signal



Double sided mast signal



Cantilever signal



Dwarf signal

