



SIGNAL LAMP WITH OPTICS

- Plastic version
- No non-ferrous metals
- High mechanic and climatic resistance of used material
- Low weight and easy handling
- Simplified installation of signal lamps and signal transformers
- Significant reduction of surface treatment
- Hinges and handles not to be lubricated

General Description

The signal lamp with optics is part of the AŽD 70 light signal modular system. To achieve the needed configuration, signal lamps are installed above each other or besides each other. The lamp is also available in aluminium construction.

Signal lamps are designed for all light signal types (mast, cantilever, dwarf).

Basic Technical Description

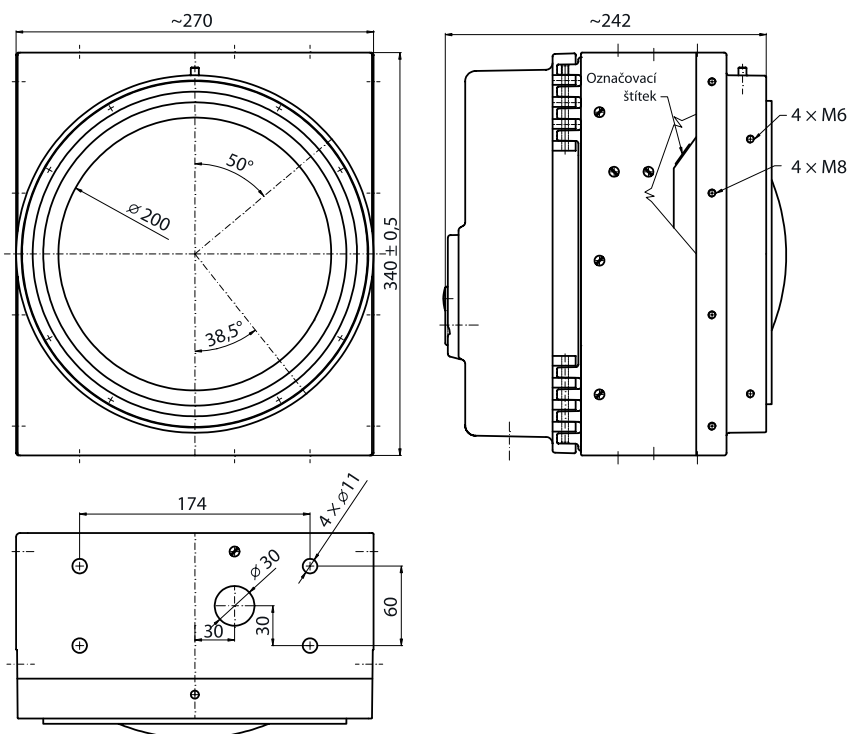
The signal lamp is a lockable box. The front side is formed by the 200 mm diameter outer lens of the optical system and the back is lockable door.



The optical system consists of a bulb and two-step lens system. The internal lens is coloured. The external divergent lens is significant for close-up visibility.

The main parts of the lamp are made of tough engrained polycarbonate filled with fibreglass. Two signal transformers can be mounted in the signal lamp doors.

As a standard the signal lamp optical system is set up for a 12V/20 W single/double filament bulb. On request a different light system can be mounted.



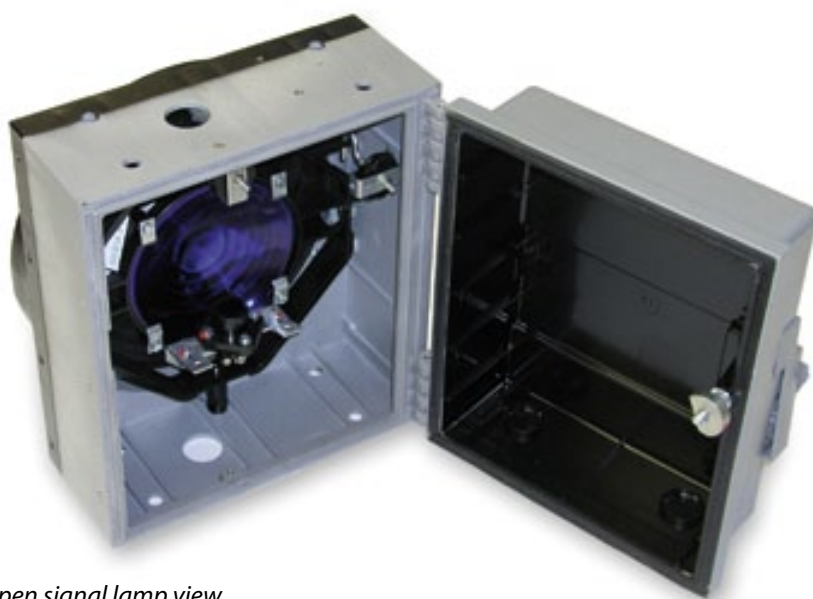
Dimensional sketch





Basic Technical Parameters

Standard bulb	12 V, 20 W, base BA 20d
Signal lamp chromaticity	blue, red, green, yellow, white
Visibility	min. 533 m
Insulation resistance	min. 250 M Ω
Resistance against attached AC voltage	4 kV
Cover rating	IP 54
Weight	4,5 kg
Working temperature range	-40 to +70 °C



Open signal lamp view



Example of signal lamps set