

LED SIGNAL LAMP

- High luminous intensity
- Long distance visibility
- Plastic version
- No non-ferrous metals
- High mechanic and climatic resistance of used material
- Low weight and easy handling
- Simplified installation of signal lamps
- No need of signal transformers
- Significant reduction of surface treatment
- Full mechanical compatibility with signals AŽD 70
- Direct replacement of classic signal lamps
- Hinges and handles not to be lubricated



General Description

The LED signal lamp is part of the AŽD 70 light signal modular system. To achieve the needed configuration, signal lamps are installed above each other or besides each other. Signal lamps are designed for all

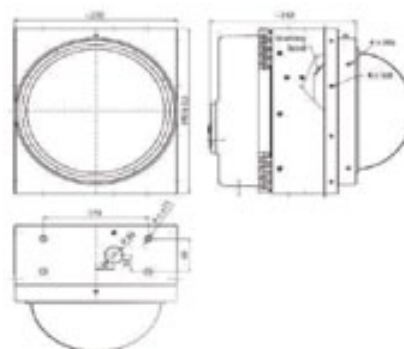
types of signals (mast, cantilever, dwarf).

Basic Technical Description

The signal lamp is a lockable box. The front side is formed by the 200 mm diameter outer lens of the

optical system and the back is lockable door. The optical system consists of a board of LEDs and lens.

The main parts of the lamp are made of tough engrained polycarbonate filled with fibreglass.



Dimensional sketch



Basic Technical Parameters

Standard light source	plate of LEDs
Signal lamp chromaticity	blue, red, green, yellow, white
Visibility	min. 1000 m
Insulation resistance	min. 250 MΩ
Resistance against attached AC voltage	4 kV
Cover rating	IP 54
Weight	4,5 kg
Working temperature range	-40 to +70 °C



Open signal lamp view



Example of signal lamps set