

SPEED INDICATOR UR-3

- Modular system
- Simple and waterproof construction
- Easy maintenance

General Description

This optical system generates the speed signal aspects.

It is mostly used for mast and cantilever types of signals. The light source consists of two rows of bulbs, each with a separate optical system inclu-

ding the green or yellow filter and the condenser lens.

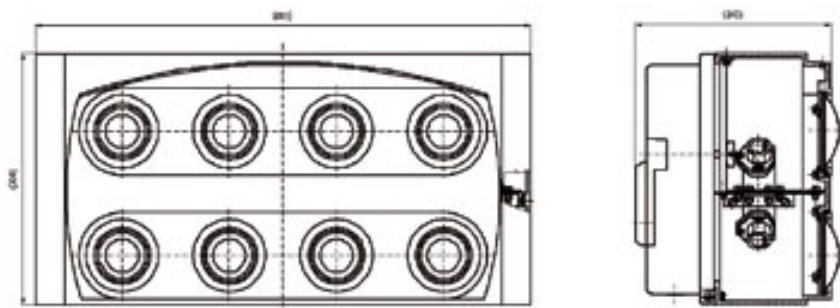
Basic Technical Description

The indicator is constructed as a waterproof lockable cabinet made of aluminium alloy with back lockable door.

As signal lamp light source the bulbs for BA 20d base with defined light intensity, shape and filament position has been approved.

Optical system includes the green or yellow filter and the condenser Fresnel step lens.

Speed indicators can be assembled into light signal configurations.



UR-3 indicator sketch



Basic Technical Parameters

Standard bulb	$(2 \times 4) \times 12 \text{ V}, 20 \text{ W}, \text{BA } 20\text{d base}$
Power input	$2 \times 80 \text{ W}$
Signal light chromaticity	green, yellow
Light intensity	green 1600 cd, yellow 2100 cd
Visibility	540 m
Insulation resistance	250 M Ω
Resistance against attached AC	4 kV
Cover rating	IP 54
Working temperature range	-40 to +70 °C
Main dimensions including shade (w × h × d)	600 × 304 × 700 mm