



# SOZ – BACKWARD RADIO SYSTEM CONTROL SET

- Robust Construction
- Resistance against interference
- Zero consumption in inactive state
- Input signal low distortion

### General Description

The SOZ control set located in rail-yard is used as a communication point of backward radio system.

The SOZ set cooperates with all public address systems supporting backward radio system.

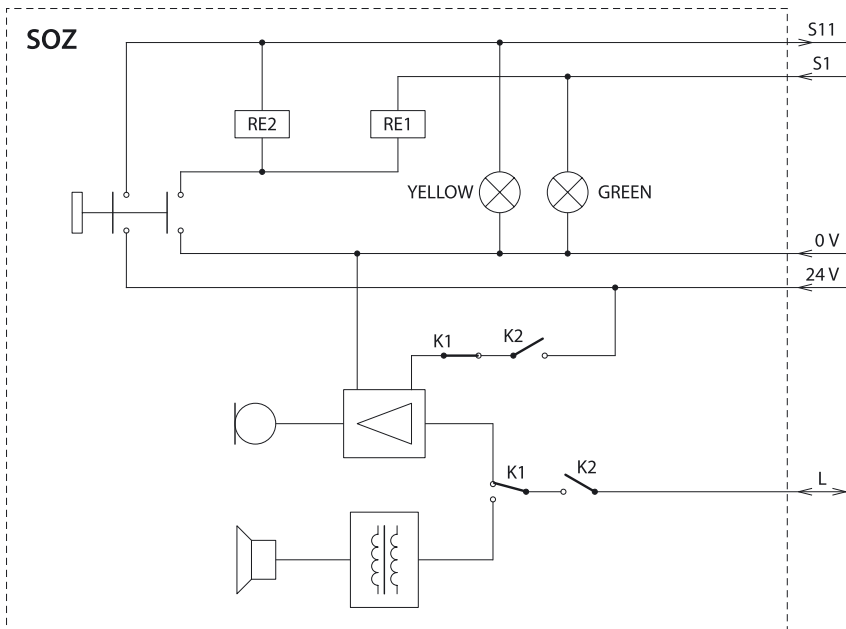
### Basic Technical Description

SOZ set is designed as a box for the mast mount.

The box is made of light alloy and includes: microphone, speaker and PCBs with electronic circuits.

The set is activated by a pushbutton. When pressed the yellow LED diode goes-on and the conversation is transmitted from the SOZ operator to the station master.

If the green LED diode is lit the station master talks to SOZ. To hear the



Block diagram

call from the speaker set the SOZ has to be activated by the pushbutton. When the pushbutton is released the call from the station master is rerouted to the speaker (Public Address System).

The conversation priority is given to the station masters.





### Basic Technical Parameters

DC Power supply	24 V $\pm$ 20 %
Output signal nominal voltage	1,55 V
Dimensions	436 $\times$ 124 $\times$ 145 mm
Weight	4,6 kg
Cover rating	IP 43

